

SEAMLESS
MOVEMENT

FLOW X

ACCESS



Designed for seamless movement and outstanding comfort, the Flow X stairlift exemplifies confidence and craftsmanship in every detail.

As our most space-conscious model, the Flow X is engineered to integrate smoothly into your home. It attaches directly to the staircase rather than the wall, ensuring a quick, efficient installation with minimal disruption.

02

A blend of innovative design and functional excellence, the Flow X is our most versatile single-rail stairlift, perfect for both straight and curved staircases. Its adaptable design ensures it fits precisely to your home's unique architectural needs.



”

Choosing the Flow X has transformed my daily routine. Its seamless integration into our home was impressive, and it operates so quietly and efficiently. It's not just a stairlift; it's a part of our home that enhances my independence and comfort every day.”

1

Comfort

The Flow X is not just a stairlift; it's a revolution in comfort. Its ergonomic and innovative features are meticulously designed with your needs in mind. With their gentle recline and height-adjustable options, the backrest and padded seat ensure a seating position tailored to your comfort, making every journey a pleasure.

Flow X is designed to make your life easier. With its automatic folding footrest, all it takes is a simple

push of a button to transform your seating experience. This unique feature allows Flow X to take care of the adjustments, leaving you free to sit back, relax, and enjoy its benefits from start to finish.

Experience the comfort of Flow X and choose from our collection of contemporary, high-quality fabrics and finishes to make your lift truly part of your home.



2

Confidence

The Flow X stairlift is designed and tested to the highest standards so you can move around your home with complete confidence.

Flow X is not just about comfort; it's about your safety and peace of mind. Our innovative armrests are designed to provide extra support when standing and sitting, and the unique open-access armrest position makes transferring to a stairlift as simple as possible. The intelligent detection device in the armrests prevents movement when they're not in the correct position, giving you complete peace of mind. The one-handed operation seatbelt and wrap-

around armrests keep you secure throughout your journey, and the colour-coded indicator lights keep you in control, always assuring you that your lift is working correctly.

Flow X offers an optional integrated call device feature (programmable up to three numbers) to ensure you can stay connected with friends and family when using the lift.



3

Craftsmanship

Flow X represents the pinnacle of our stairlift designs, showcasing the best in innovation coupled with the inspiring contemporary design by Pearson Lloyd. Flow X is adept for any staircase, straight or curved, ensuring a perfect fit for the unique contours of your home. Choosing the Flow X means opting for unmatched craftsmanship. You get a sleek, modern lift tailored specifically to your needs,

with all mechanical components elegantly concealed. This is our most compact design yet, offering spacious and comfortable seating. Experience a smooth and secure journey every time, courtesy of our Advanced Swivel and Levelling (ASL) technology, which maintains perfect balance and smooth rotation during travel - ideal for staircases as narrow as 610mm.

Flow X is manufactured using the latest technology and can be installed on any type of staircase. Our Advanced Swivel and Levelling technology (ASL) allows it to be fitted on staircases as narrow as 610mm. This feature, unique to Flow X, enables your stairlift to rotate while in motion, making it one of the most versatile stairlifts in the world.





06

Flow X blends
effortlessly with your
decor and furniture.





08

ASL TECHNOLOGY

Our unique ASL technology enables the Flow X stairlift to rotate and stay perfectly level while in motion. By rotating during travel, you're always in the safest and most comfortable position.



1

The seat is always in the best position to get on and off safely.

The Flow X swivels as it travels, so getting on and off the lift at either end of the staircase is quick and easy. Combined with the choice of an extended rail overrun, the seat can conveniently stop beyond the top step, allowing you to dismount safely and comfortably away from the open staircase, enhancing the ease of use and offering added peace of mind.

2

Constantly working to save you time and provide safety and comfort.

ASL technology operates while the lift is moving. Therefore, you avoid additional stops and swivel movements at the beginning, during, and end of the ride. This saves time and provides extra safety and comfort. The lift really moves in one "Flow".

3

Internal or external rail on the narrowest and steepest stairs.

Even in cases where the stairs are narrow and steep, the Flow X can be installed closer to the step and on either side of the staircase. Your stairlift will be less intrusive, and your staircase will remain accessible for other family members in your home.

4

Unique technology that can only be found with Flow X.

We care about your well-being. When you choose ASL technology, the footrest swivels with the seat, ensuring your legs and feet remain in a natural and comfortable position and relieving any additional strain on your joints.





OPTIONS

12

IT'S ALL
ABOUT YOU

When you choose the Flow X stairlift, you ensure the best fit for your home. With its single discreet rail, Flow X can be tailored to fit almost any staircase.

Rail



Standard Vertical Start

The standard vertical start is the perfect solution if there is an obstruction, such as a door near the bottom of the stairs. It requires just 175mm of space from the bottom step.



Vertical Short Start

The vertical short start can be installed where space is even tighter at the bottom, needing only 100mm of space from the bottom step.



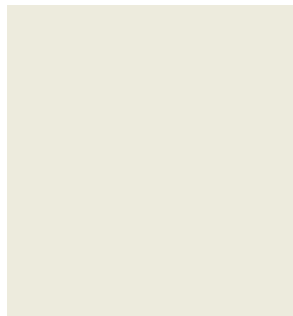
Horizontal Overrun

The horizontal overrun allows Flow X to be parked away from the staircase, where you have extra space at the top or bottom of the stairs.

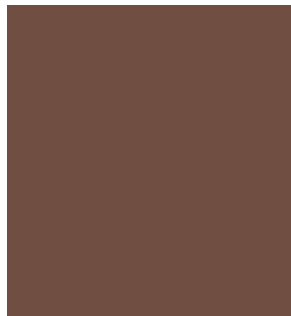
Colour



Stone Grey
RAL 7030



White
RAL 9002



Pale Brown
RAL 8025



Dark Brown
RAL 8019

Upholstery Collection

Vinyl



Natural Beige



Basalt Grey



Pearl Blue



Deep Red

Fabric



Mountain Grey



Mineral Blue



Coral Orange

14

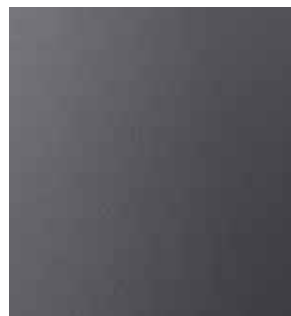
Leather



Firenze Smoke



Firenze Tan



Firenze Grey

Wood



Grey Oak

Our collection of high-quality fabrics and finishes allows Flow X to blend effortlessly into your home.

Armrests & Seatbelt



Straight



Curved



Open



Ergonomic Seatbelt

15

Joystick



With a comfortable soft-touch grip, the integrated joystick is designed for you to fold away neatly in the armrest when not in use.

Call Device



Stay connected with friends and family with up to three different telephone numbers contactable directly from your stairlift.



16

EFFORTLESS
FUNCTIONALITY

Intuitive Folding



Automatic Folding Footrest

Using Flow X is effortless, thanks to the optional automatic folding footrest, which can be activated with a push of a button.



Footrest Lever

The lever underneath the seat allows you to easily fold and unfold the Flow X footrest, which is designed to help prevent unnecessary bending.

Emergency Lowering



Emergency Lowering Button

The emergency lowering button is designed to give you peace of mind as you use the lift.

In the unlikely event that Flow X stops during travel, you can lower the lift to the bottom landing and call for technical assistance.

Choose between an automatic folding footrest or our innovative manual-folding version. The seamless movement of the manual folding is supported by an integrated gas spring that is discreetly hidden within the seat.

CALL & PARK

18

YOU'RE IN CONTROL

Intuitive remote control units at the top and bottom of the stairs call your lift and send it to a parking point when not in use. With a modern handheld design and a clear status indicator that mirrors the stairlift, calling and parking have never been more convenient.





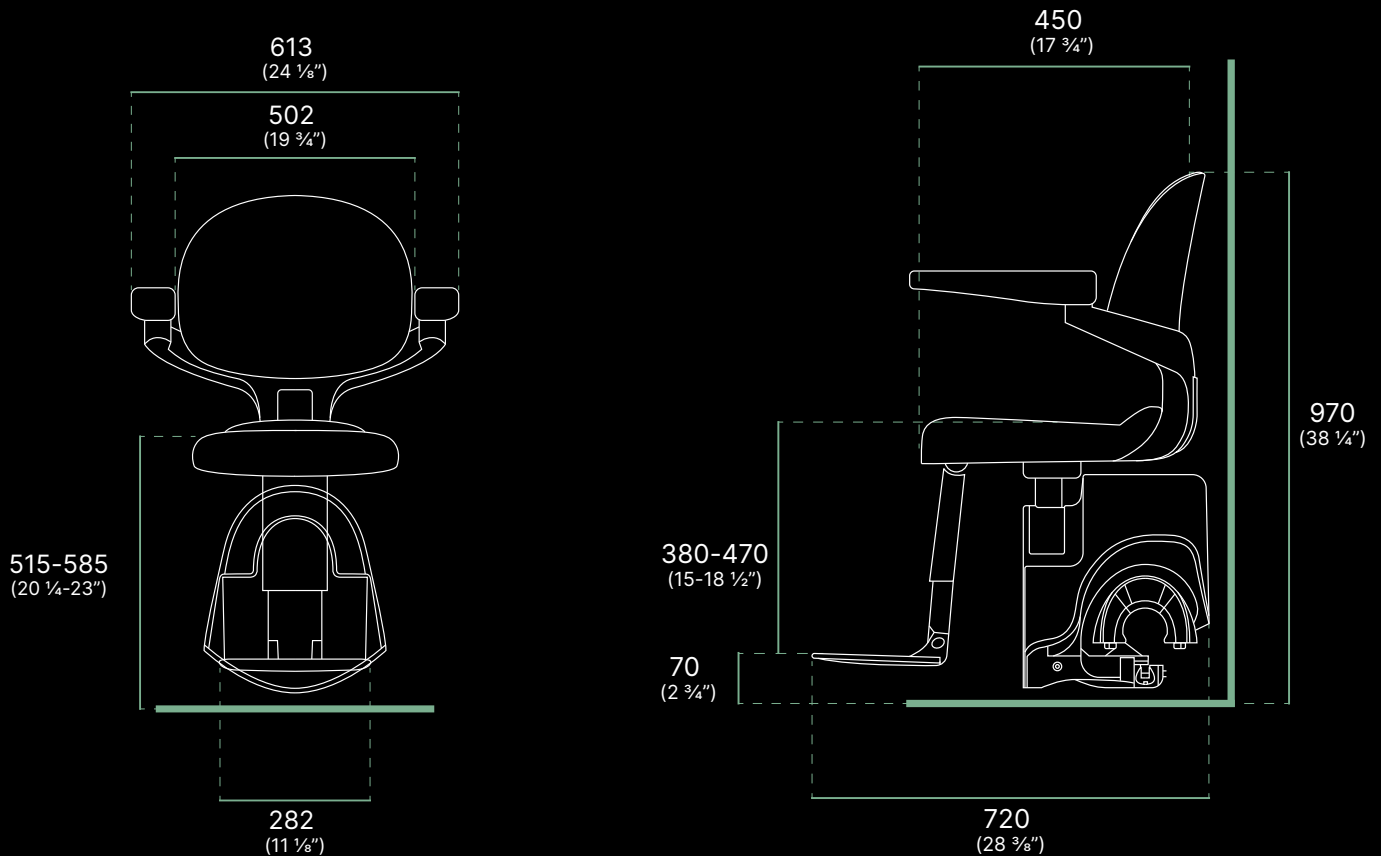
Choose Flow X for unmatched craftsmanship and a modern lift tailored to your needs.



TECHNICAL SPECIFICATION

CERTIFIED TO THE HIGHEST STANDARDS

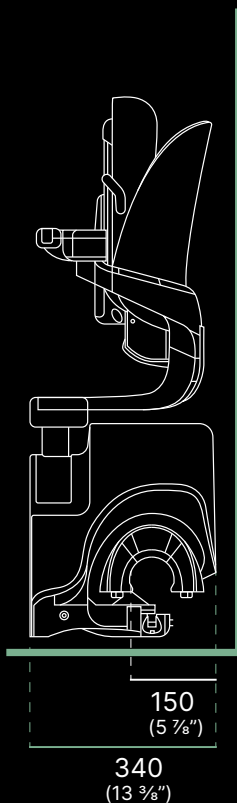
22



Specification

Speed (Nominal)	0.1 m/s
Drive Type	Rack and pinion
Motor Wattage	350 W
Weight Capacity	125 kg (275 lbs)
Automatic Stop	Yes
Staircase Incline	Up to 72°
Operation	Armrest detection and foldable joystick control as standard
Batteries	2 × 12V batteries, total 24V
Certification	Machinery Directive 2006/42/EC EN 81-40:2020
Model Code	RP01-CU
Footrest	Available in 2 sizes Adjustable to 5 positions
Seat Height	Adjustable to 4 positions 515 - 585mm (floor to top of seat)

23



After extensive research, I chose the Flow X specifically because it could handle my home's particularly narrow staircase. The installation process was smooth, and the local dealer was incredibly knowledgeable and supportive every step of the way. It's not just a stairlift - it's a tailor-made solution that brings me peace of mind every day.



With Flow X, you can continue to enjoy the comfort and familiarity of your home, keeping spaces open and accessible for everyone.



Our products are designed for easy installation and maintenance, with everything taken care of by your Access BDD approved partner.



ABOUT ACCESS

Since 1976, we've been simplifying complex choices to help people move around their homes.



27

Access BDD is a division of TK Access Solutions Ltd. We give people around the world the ability to move comfortably around buildings by providing stairlifts, platform lifts and home lifts, which we distribute via a network of carefully chosen business partners. When you choose an Access BDD lift, you're choosing a high-quality product, supported by expert service and advice.

Our partners are all specialists in mobility or elevator products, and they receive extensive technical and commercial training on our products. Your Access BDD partner will guide you through the product options to help you choose a lift that meets your own needs and suits your surroundings. You'll also receive expert advice to ensure that your new lift conforms to relevant accessibility and safety regulations.

Access BDD is one of the world's leading suppliers of stairlifts, platform lifts and home lift solutions.



Scan to watch our Flow X customer journey video.

Your local Access BDD partner is:

